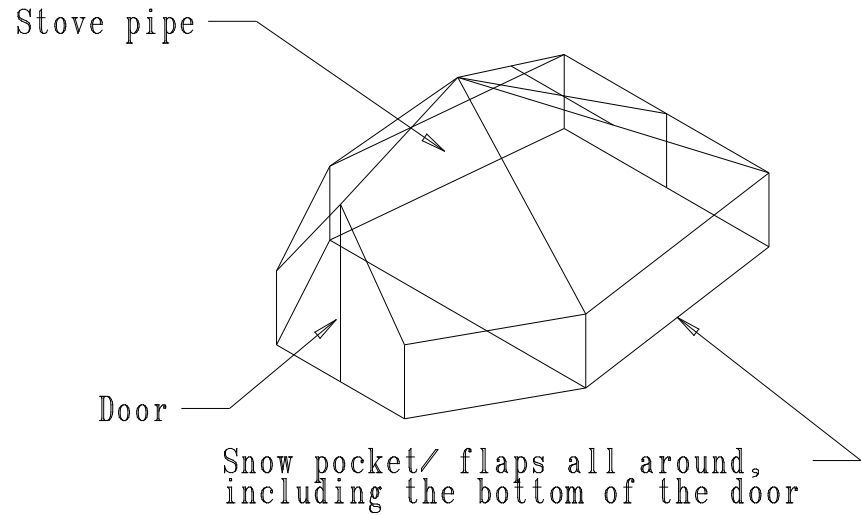
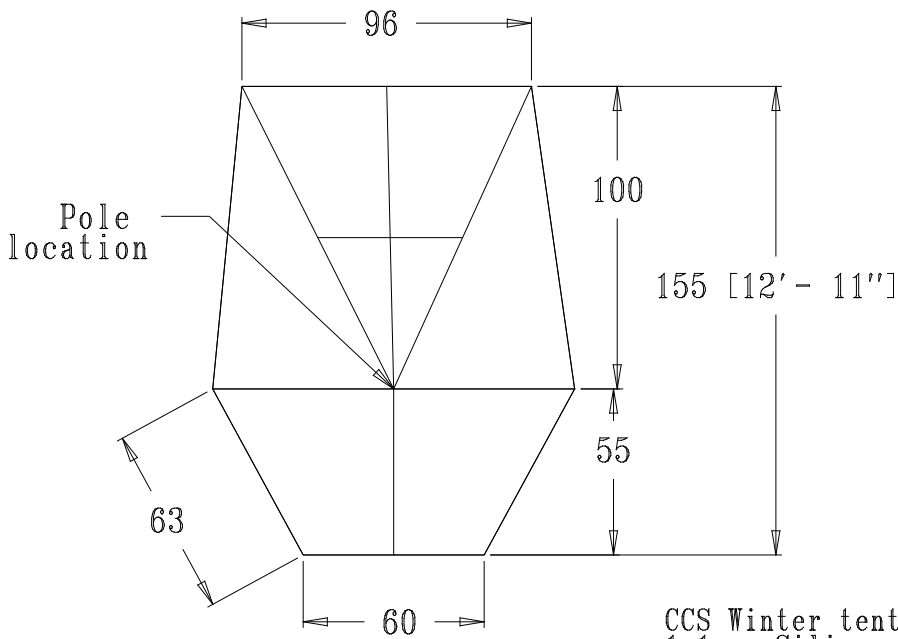


CCS 651-784-8777  
 Email dancooke@cookecustomsewing.com



CCS Winter tent HEX  
 1.1 oz Silicon coated Nylon 15 lb tear strength  
 Color white, with Red Door, Gray snow pockets around perimeter  
 Weight under 6 lbs  
 Close to 6 foot door, #8YKK coil zipper with two sewn fobbed pulls  
 30" knee wall all around  
 8' Peak  
 Siliconized Heat cloth for Stove pipe  
 2 Aluminum Poles, Reflective pull out ropes supplied.  
 Stuff sack for tent, separate sack for poles  
 Made to order \$950.00

Note: It is a nylon structure. It can Melt and or Burn.  
 Nylon really makes for really Nasty Burns, your restraint is your best defense.  
 Best when used with a baffled stove and or damper and or spark arrestor.  
 If you burn paper you will get holes in the tent.  
 Do not leave a fire in the Stove unattended or go to sleep with a fire going.

