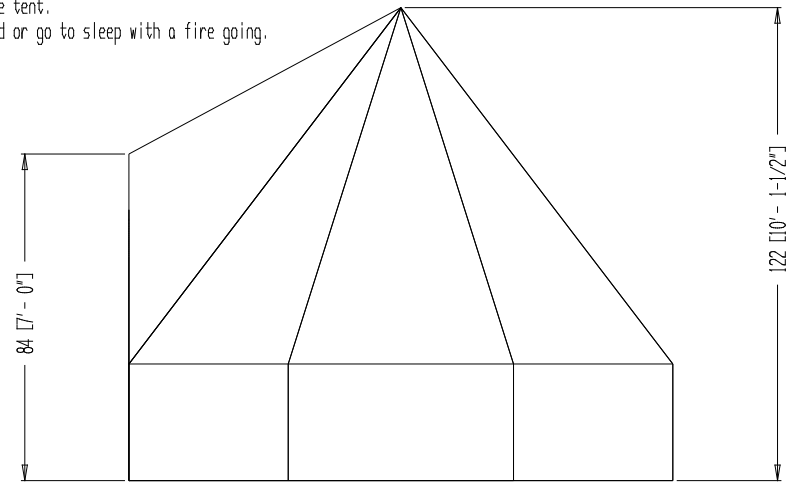
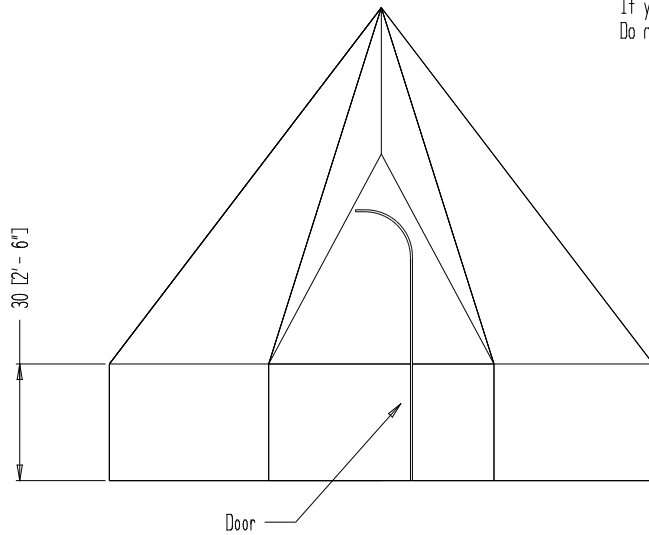


CCS Winter tent OCTAGON
 1.1 oz Silicon coated Nylon 15 lb tear strength
 Color white, with Red Door, Gray snow pockets around perimeter
 Weight under 6 lbs
 Close to 6 foot door, #BYKK coil zipper with two sewn fobbed pulls
 30" knee wall all around
 10' Peak
 Siliconized Heat cloth for Stove pipe
 2 Aluminum Poles, Reflective pull out ropes supplied.
 Stuff sack for tent, separate sack for poles
 Made to order \$1100.00

Note: It is a nylon structure. It can Melt and or Burn.
 Best when used with a baffled stove and or damper and or spark arrestor.
 If you burn paper you will get holes in the tent.
 Do not leave a fire in the stove unattended or go to sleep with a fire going.



CCS 651-784-8777
 Email dancooke@cookecustomsewing.com